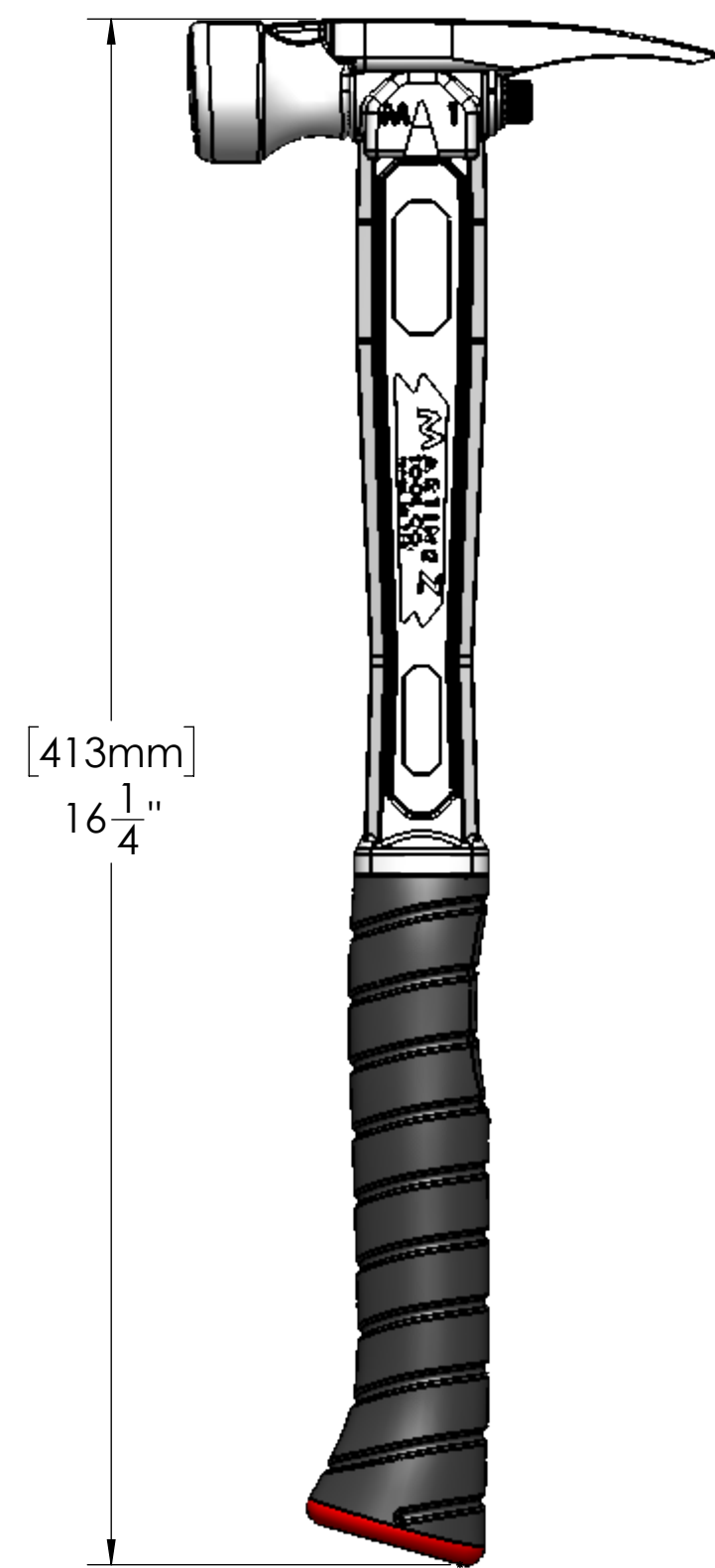
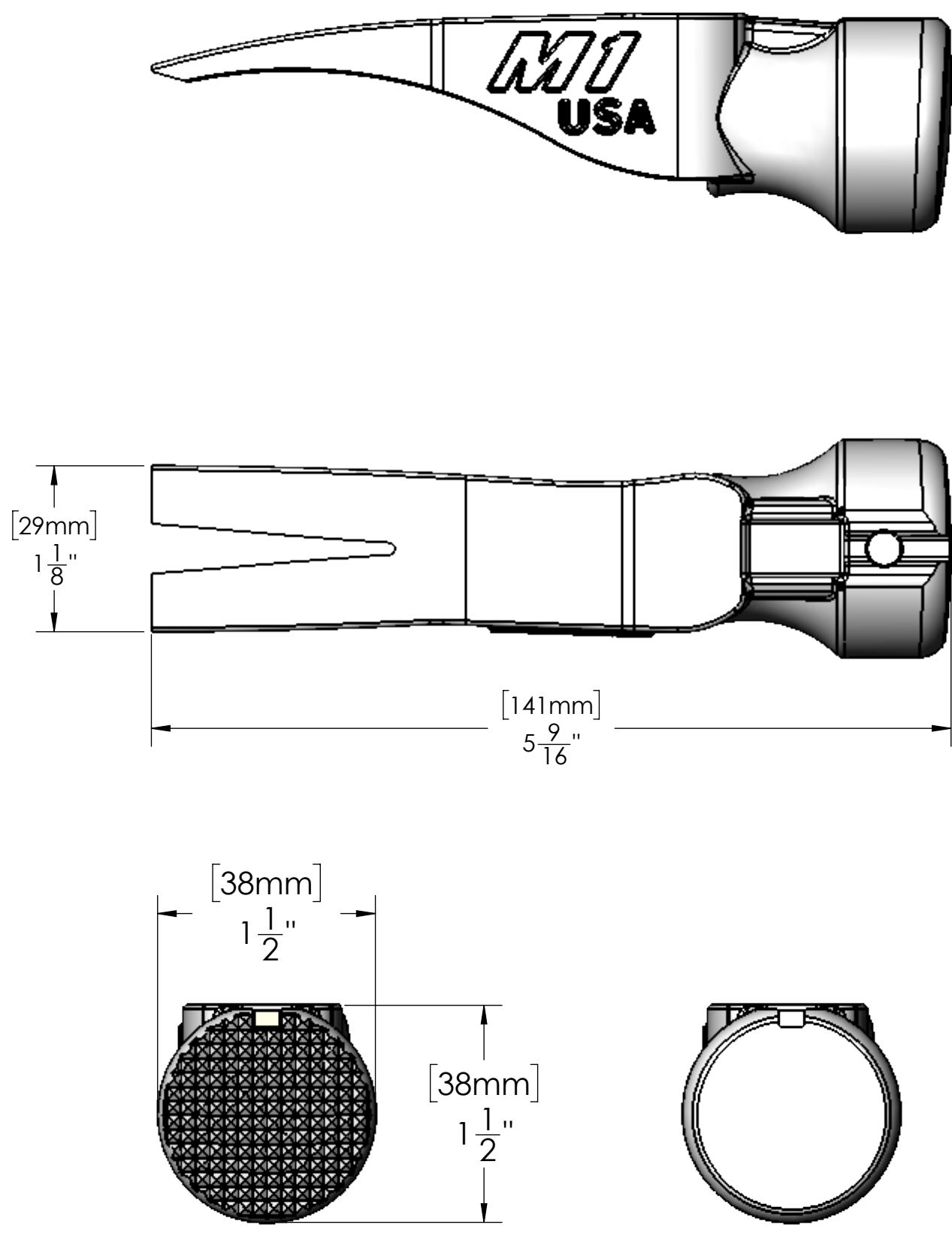


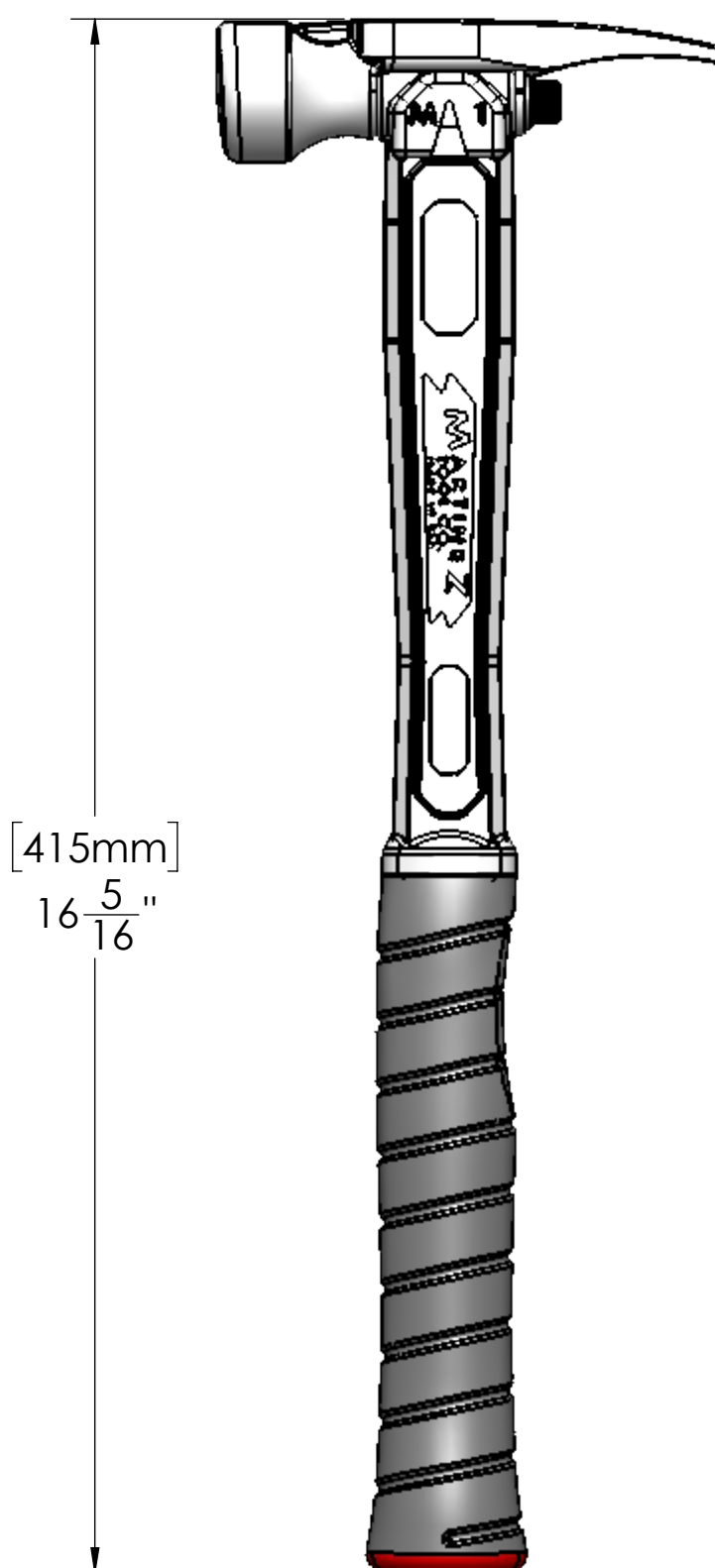
MARTINEZ TOOL COMPANY

M1 FRAMING HEAD SERIES

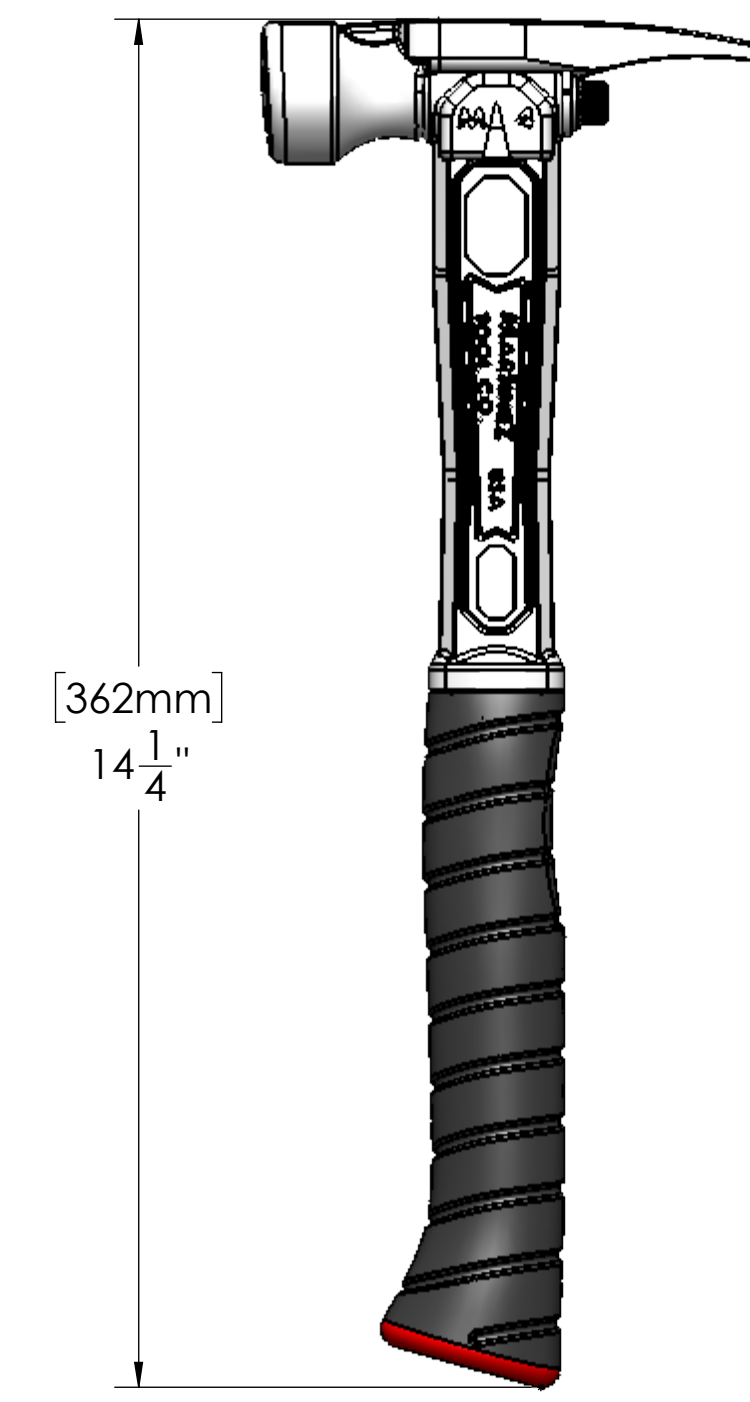
**M1 FRAMING HEAD 15 OZ.
MILLED & SMOOTH FACE**



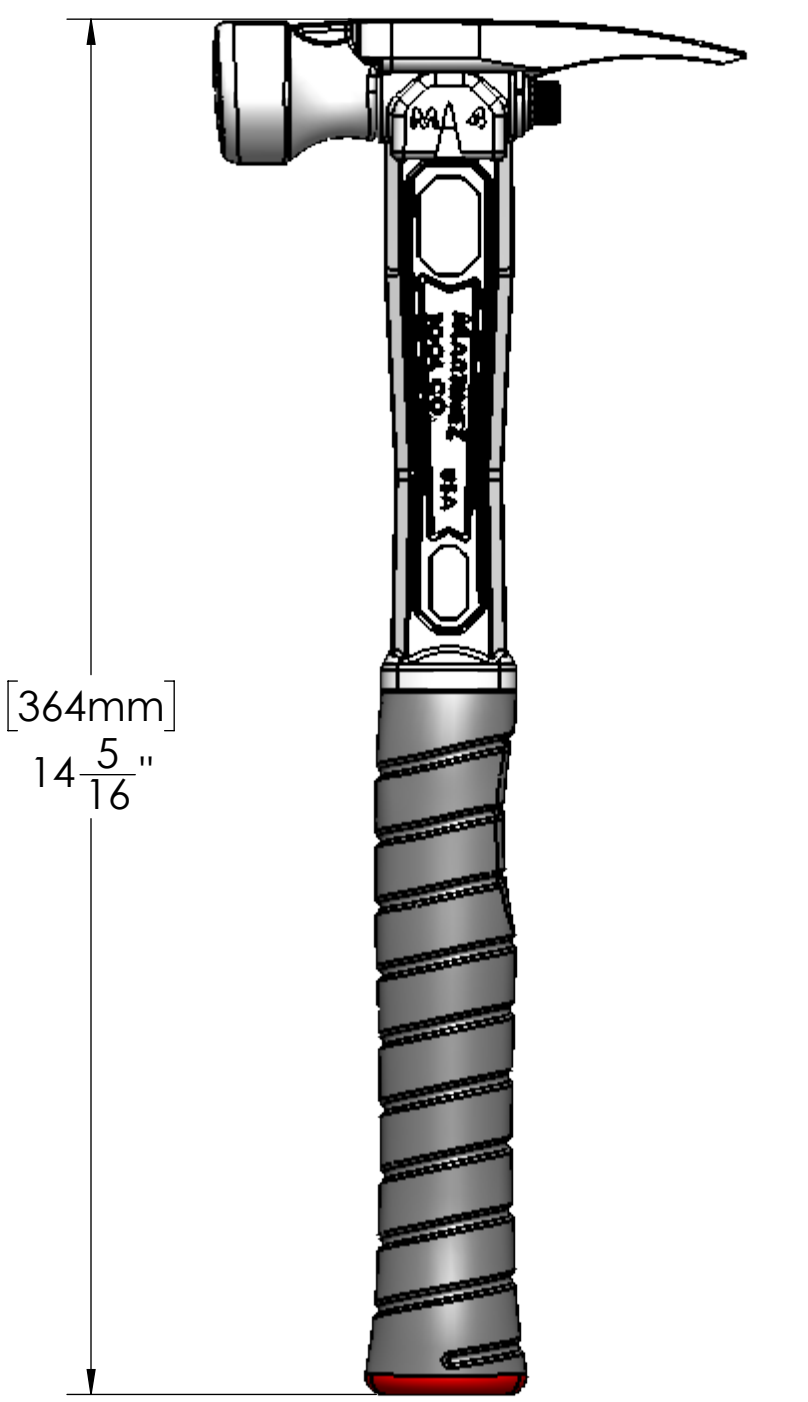
M1 FRAMING HEAD INSTALLED ON
M1 FRAMING HANDLE WITH CURVED GRIP
TOTAL WEIGHT: 2 LB
(907 GRAMS)
M1M-M1-C & M1S-M1-C



M1 FRAMING HEAD INSTALLED ON
M1 FRAMING HANDLE WITH STRAIGHT GRIP
TOTAL WEIGHT: 2 LB
(907 GRAMS)
M1M-M1-S & M1S-M1-S



M1 FRAMING HEAD INSTALLED ON
M4 FINISH HANDLE WITH CURVED GRIP
TOTAL WEIGHT: 1 LB 14 1/3 OZ
(862 GRAMS)
M1M-M4-C & M1S-M4-C



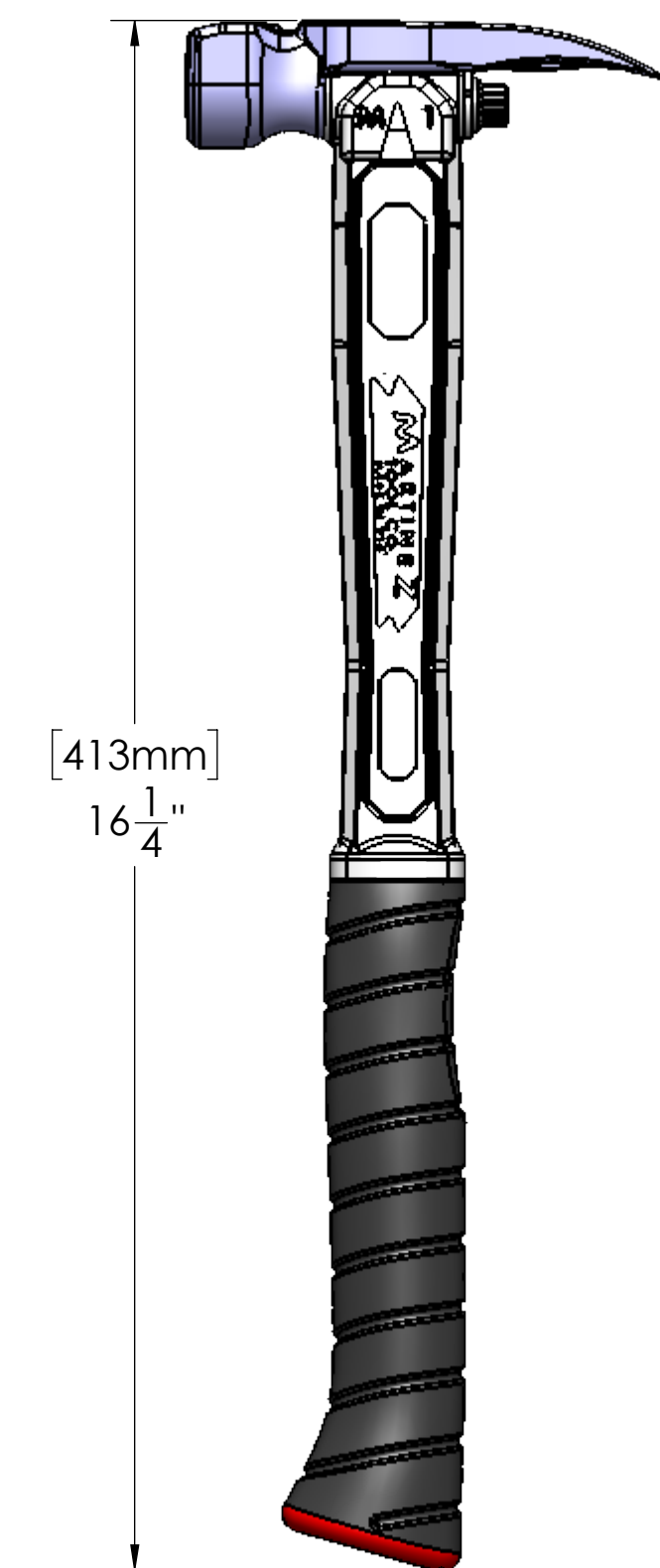
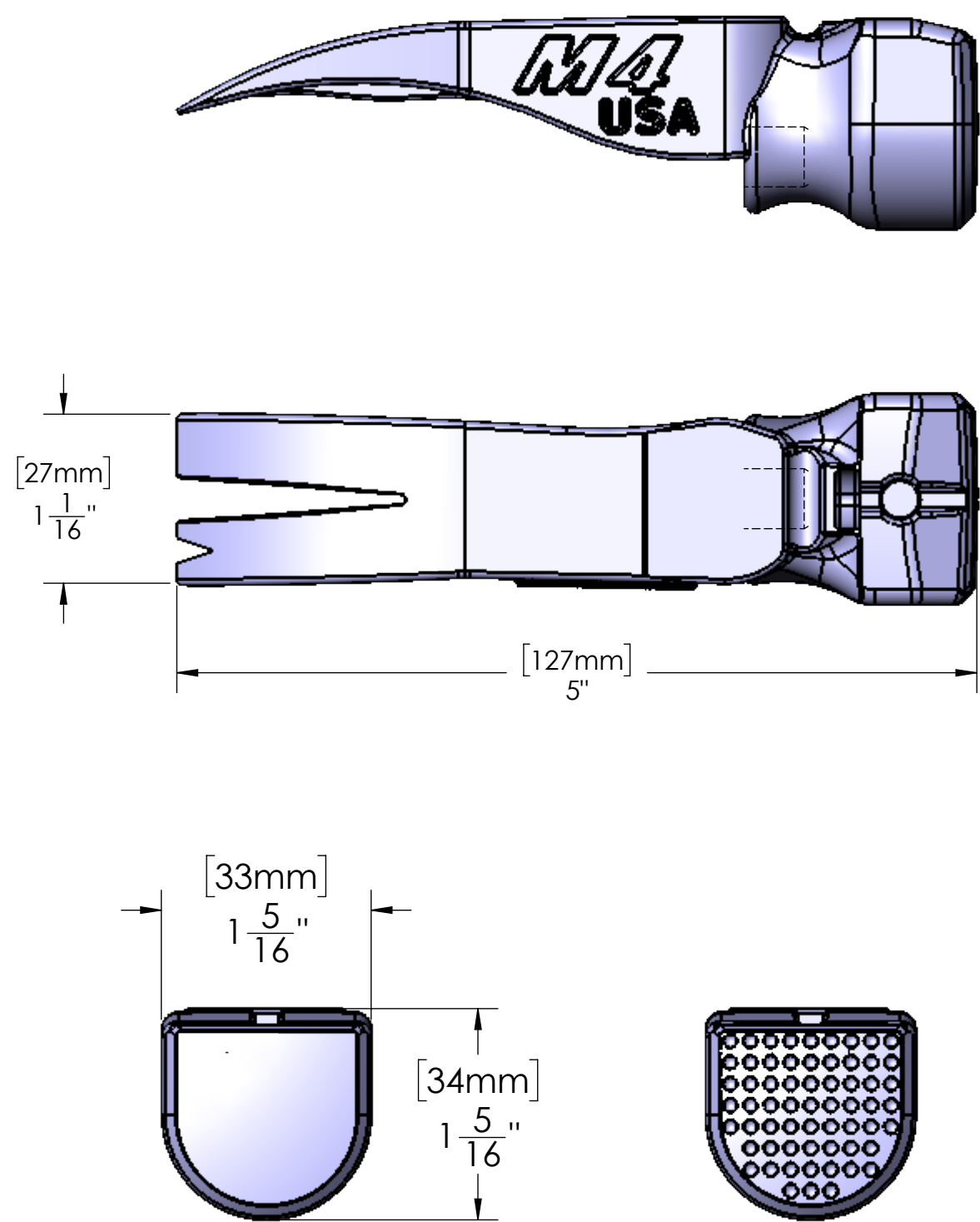
M1 FRAMING HEAD INSTALLED ON
M4 FINISH HANDLE WITH STRAIGHT GRIP
TOTAL WEIGHT: 1 LB 14 1/3 OZ
(862 GRAMS)
M1M-M4-S & M1S-M4-S

US PATENT 9,718,179

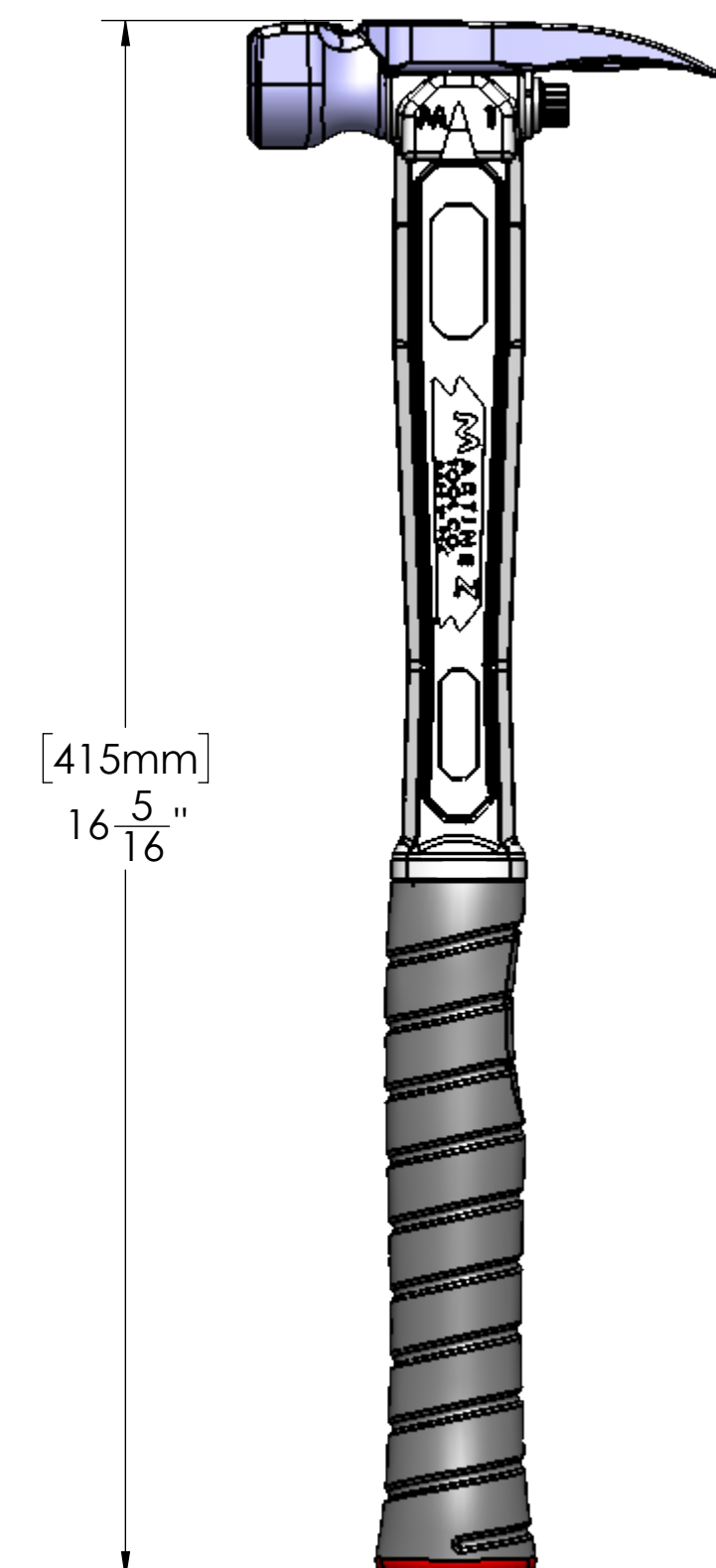
DIMENSIONS AND WEIGHTS MAY VARY SLIGHTLY FROM ACTUAL PRODUCT DUE TO MANUFACTURING VARIABLES

M4 FINISH HEAD SERIES

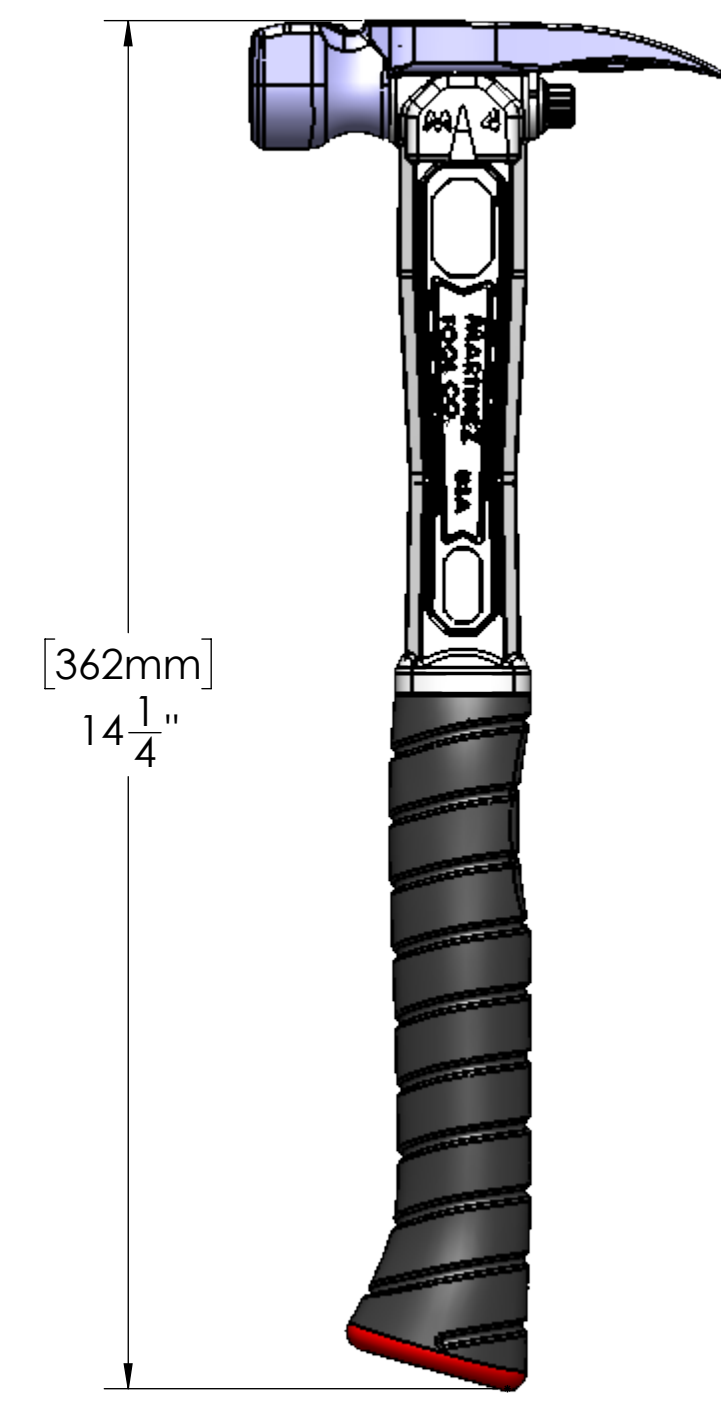
**M4 FINISH HEAD 12 OZ.
SMOOTH & DIMPLE FACE**



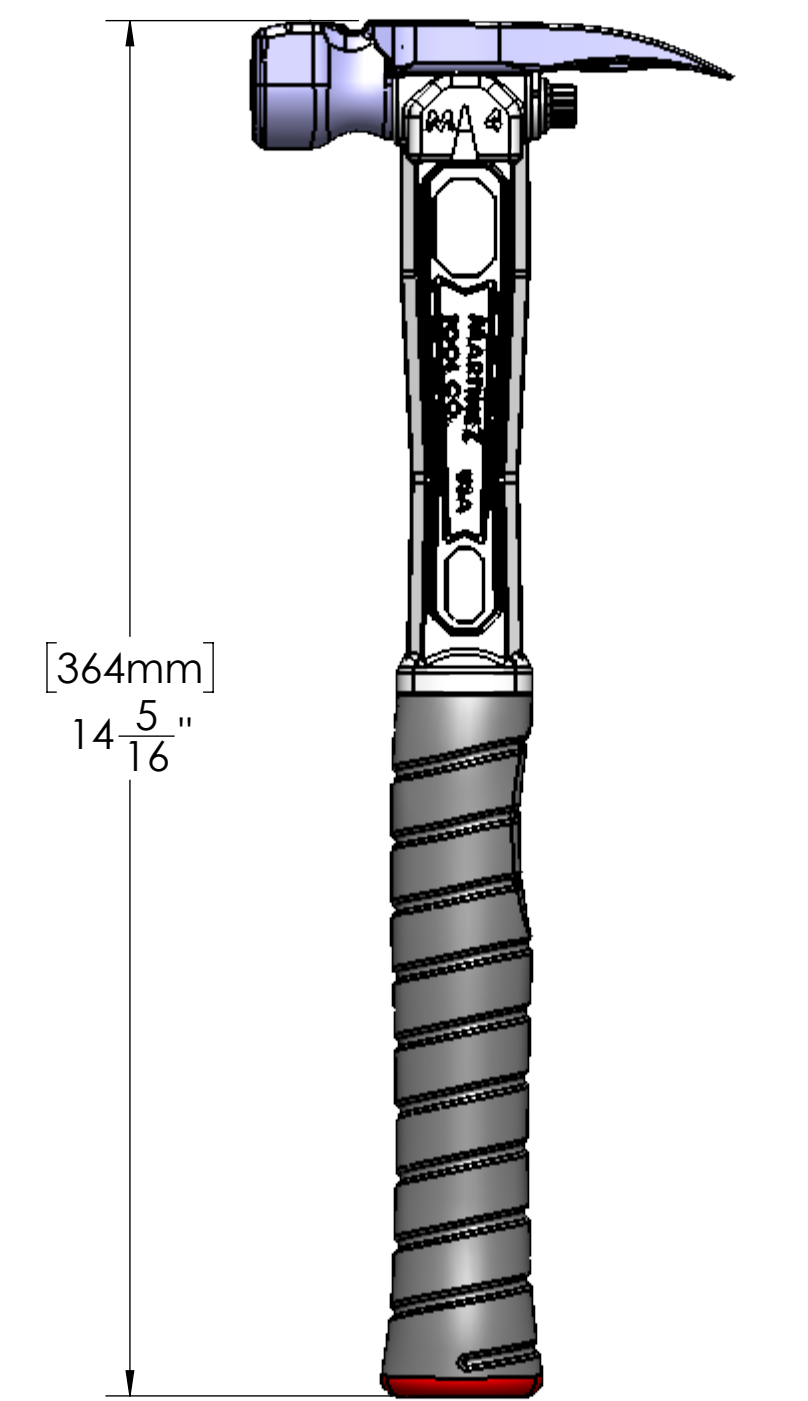
M4 FINISH HEAD INSTALLED ON
M1 FRAMING HANDLE WITH CURVED GRIP
TOTAL WEIGHT: 1 LB 13 OZ
(828 GRAMS)
M4D-M1-C & M4S-M1-C



M4 FINISH HEAD INSTALLED ON
M1 FRAMING HANDLE WITH STRAIGHT GRIP
TOTAL WEIGHT: 1 LB 13 OZ
(828 GRAMS)
M4D-M1-S & M4S-M1-S



M4 FINISH HEAD INSTALLED ON
M4 FINISH HANDLE WITH CURVED GRIP
TOTAL WEIGHT: 1 LB 11 1/2 OZ
(780 GRAMS)
M4D-M4-C & M4S-M4-C



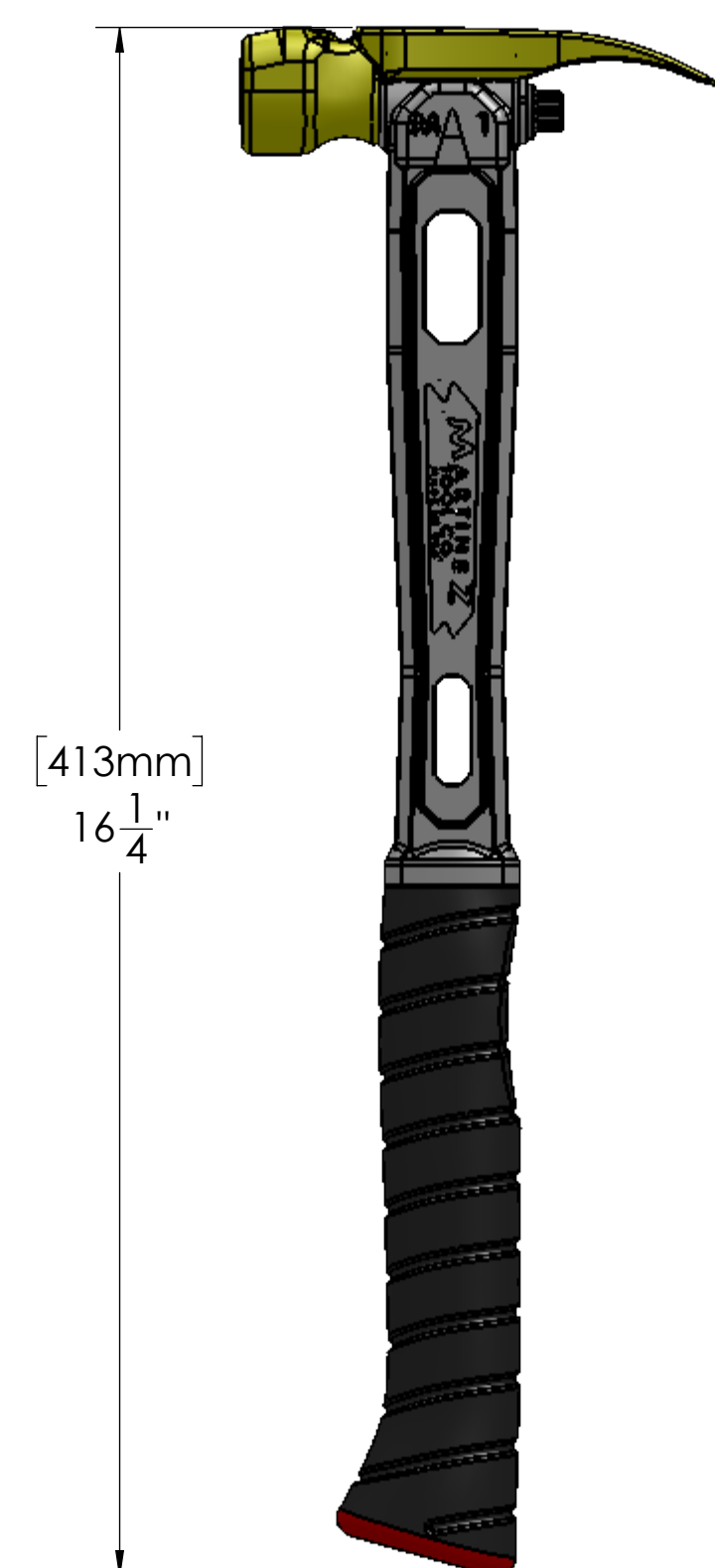
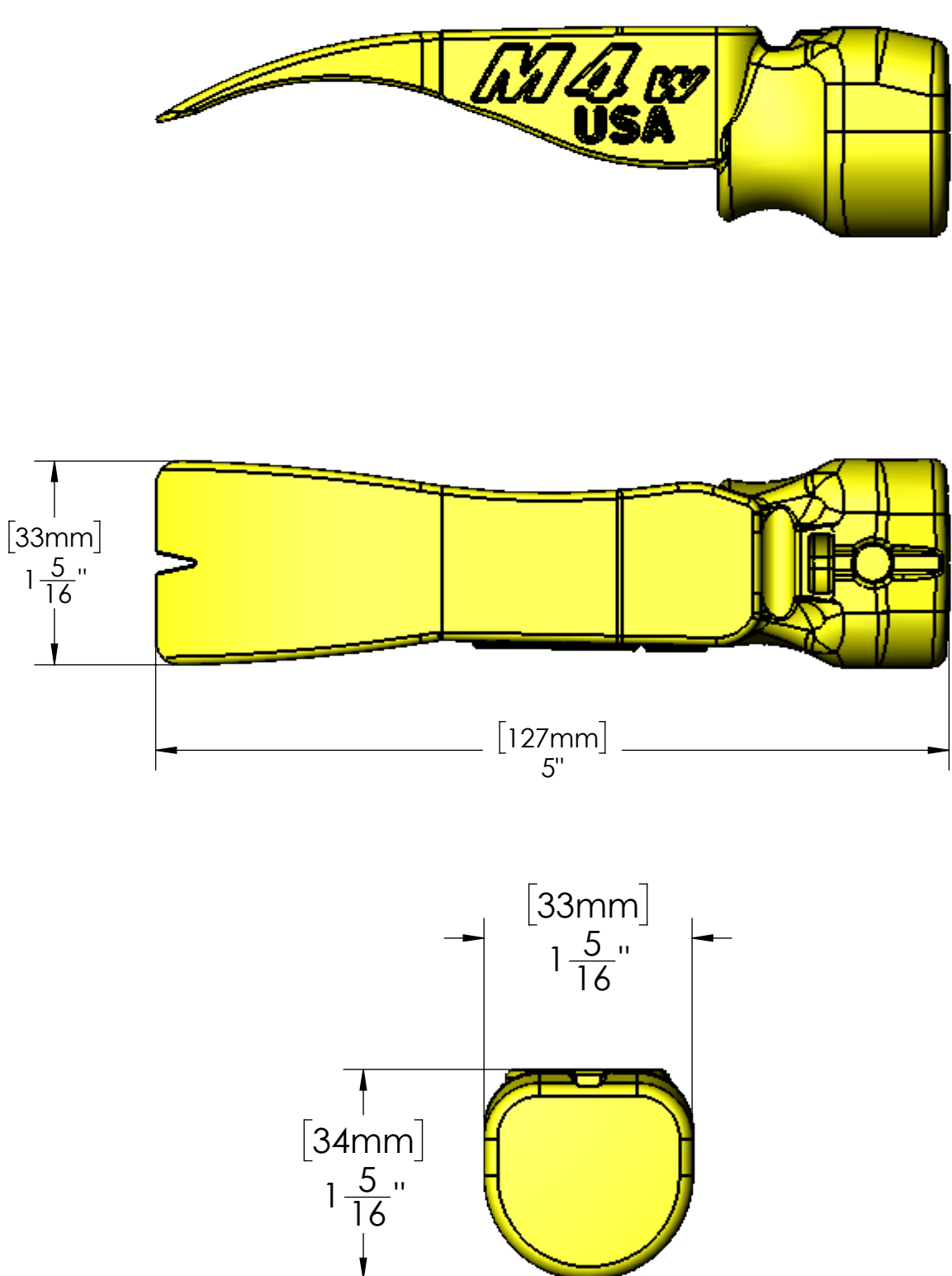
M4 FINISH HEAD INSTALLED ON
M4 FINISH HANDLE WITH STRAIGHT GRIP
TOTAL WEIGHT: 1 LB 11 1/2 OZ
(780 GRAMS)
M4D-M4-S & M4S-M4-S

US PATENT 9,718,179

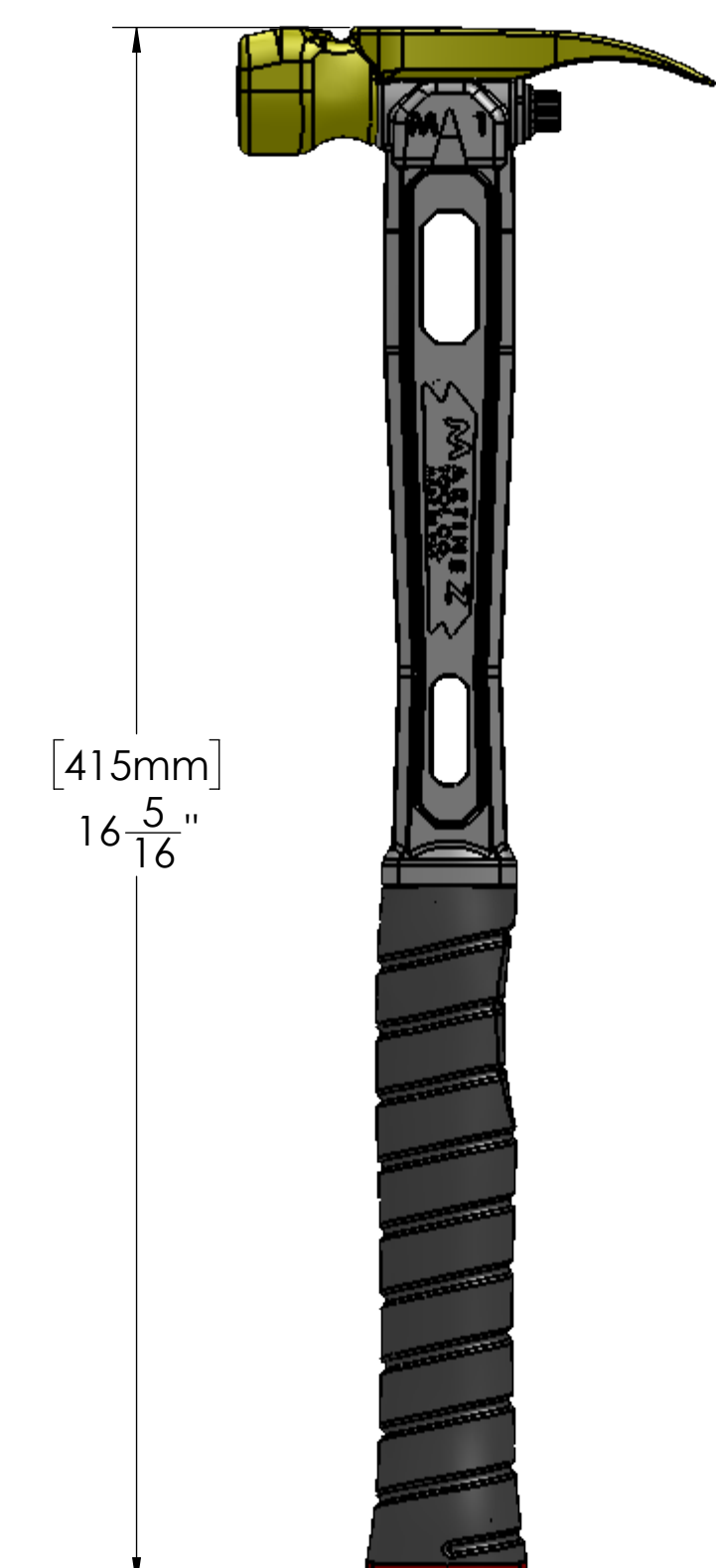
DIMENSIONS AND WEIGHTS MAY VARY SLIGHTLY FROM ACTUAL PRODUCT DUE TO MANUFACTURING VARIABLES

M4 WIDE CLAW FINISH HEAD SERIES

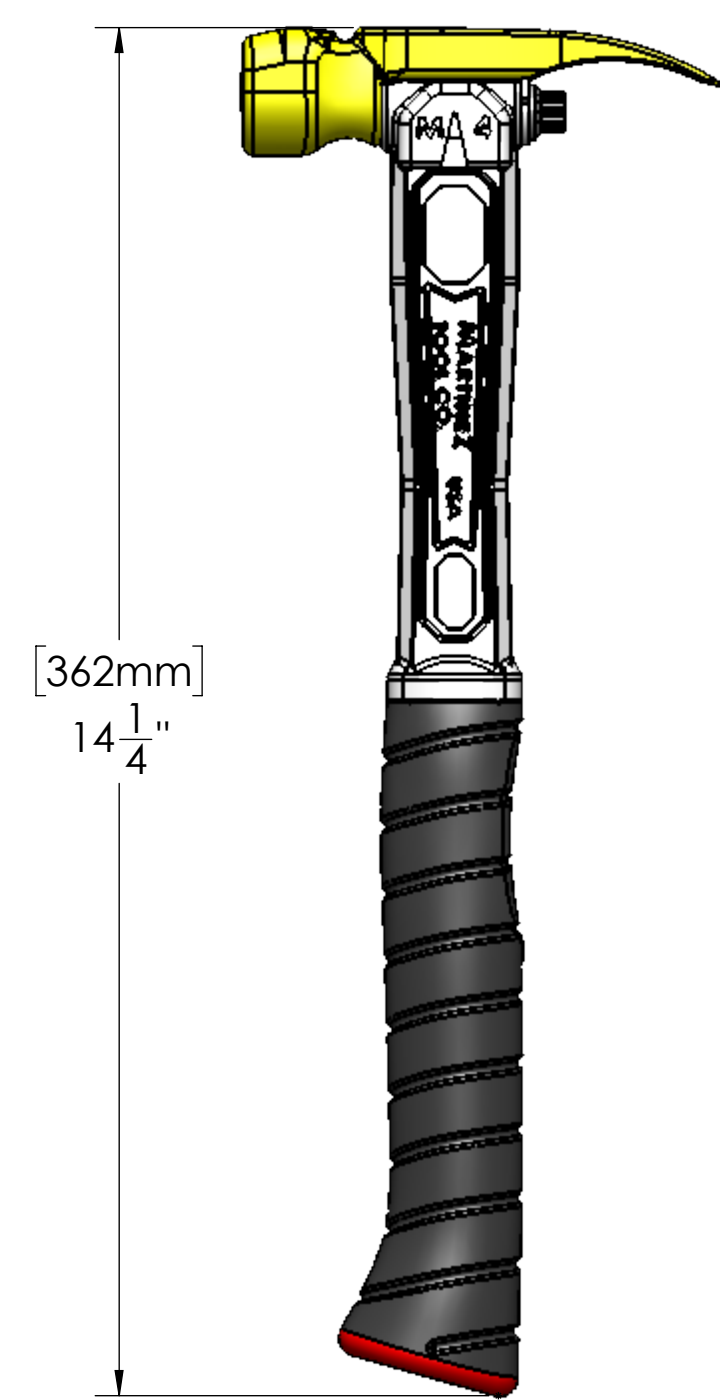
**M4w WIDE CLAW FINISH
HEAD 12 OZ.
SMOOTH FACE**



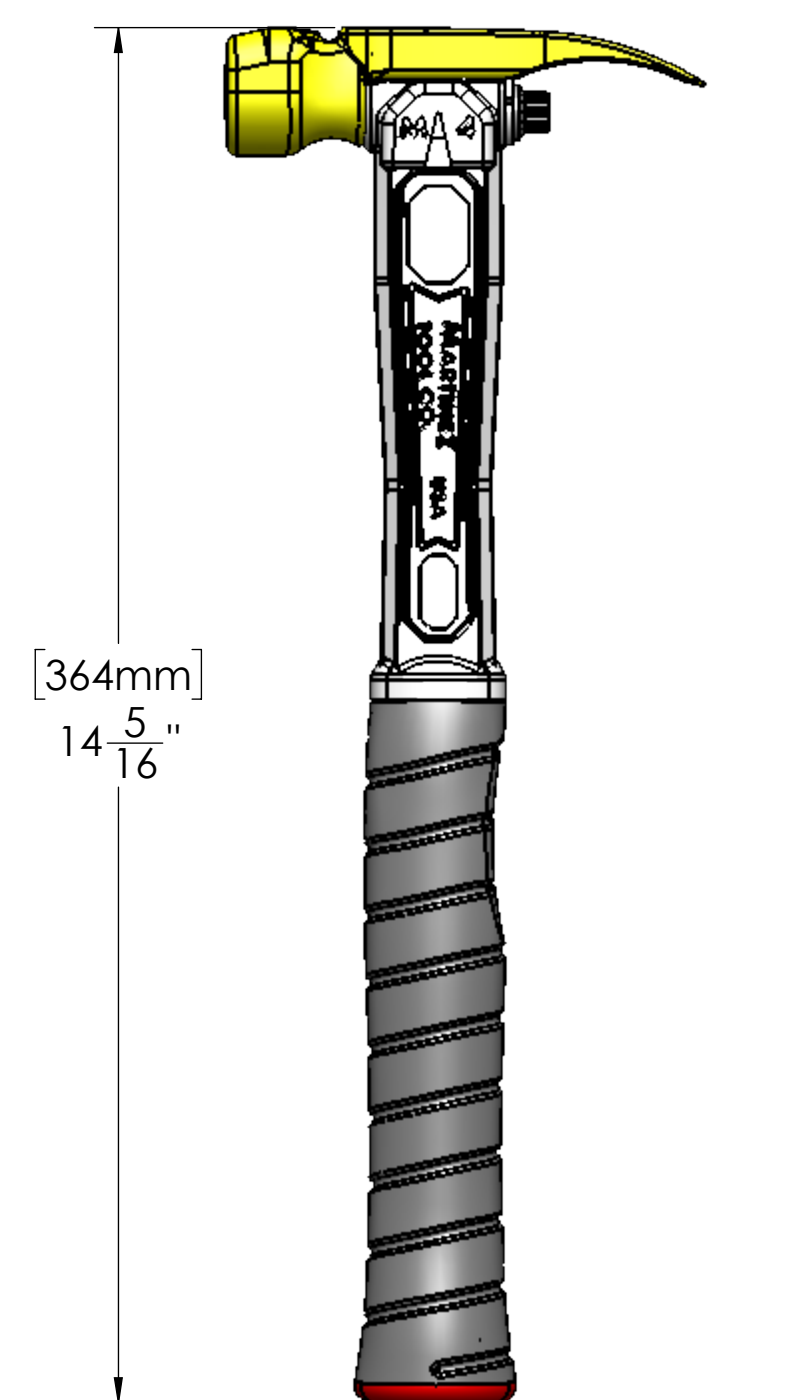
M4w WIDE CLAW FINISH HEAD
INSTALLED ON M4 FINISH HANDLE
WITH CURVED GRIP
TOTAL WEIGHT: 1 LB 12 1/2 OZ
(808 GRAMS)
M4ws-M1-C



M4w WIDE CLAW FINISH HEAD
INSTALLED ON M4 FINISH HANDLE
WITH STRAIGHT GRIP
TOTAL WEIGHT: 1 LB 12 1/2 OZ
(808 GRAMS)
M4ws-M1-S



M4w WIDE CLAW FINISH HEAD
INSTALLED ON M4 FINISH HANDLE
WITH CURVED GRIP
TOTAL WEIGHT: 1 LB 11 1/2 OZ
(780 GRAMS)
M4ws-M4-C



M4w WIDE CLAW FINISH HEAD
INSTALLED ON M4 FINISH HANDLE
WITH STRAIGHT GRIP
TOTAL WEIGHT: 1 LB 11 1/2 OZ
(780 GRAMS)
M4ws-M4-S

US PATENT 9,718,179

DIMENSIONS AND WEIGHTS MAY VARY SLIGHTLY FROM ACTUAL PRODUCT DUE TO MANUFACTURING VARIABLES